



C4

1U Passive Air Cooler

PRODUCT SPECIFICATIONS

Specification Version: 12/21/2023

(Specifications are subject to change without notice)

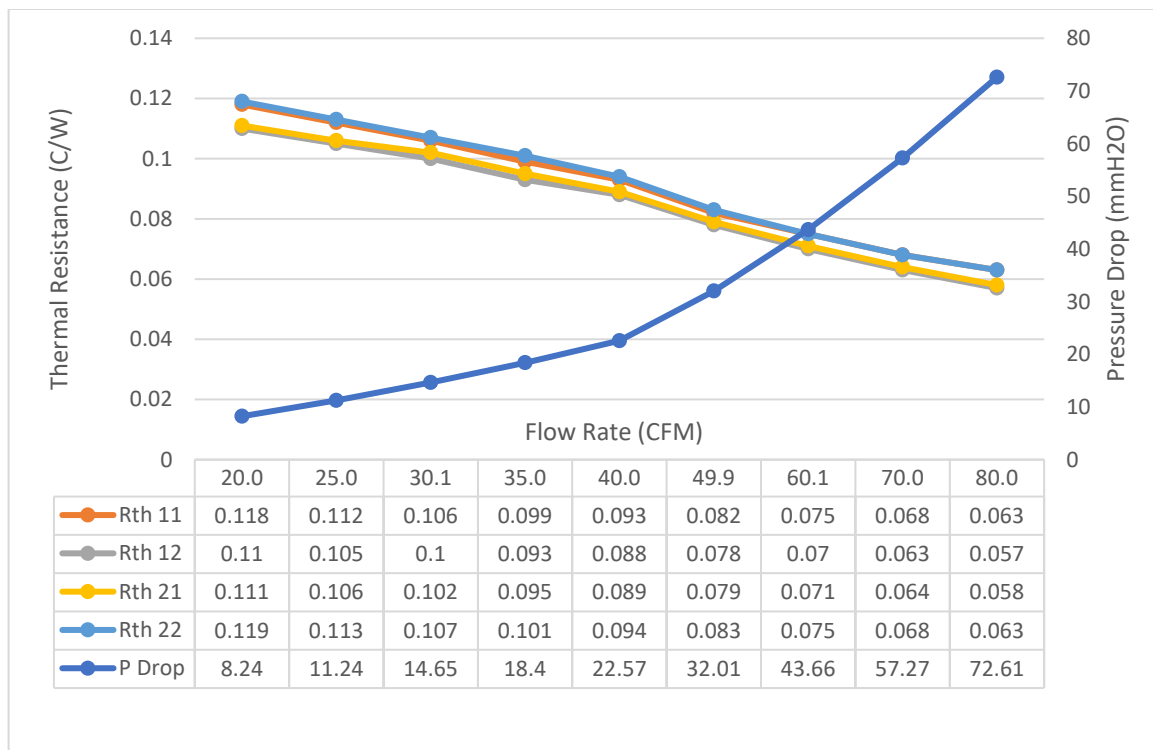
Model Number: C4

- Recommend for Intel® CPU as following
 - Intel® Granite Rapid AP (Socket LGA 7529)
- Passive Air Cooler for 1U Server and Up

Overall Specification

Dimension	126.8 x 97.8 x 26.8 mm
Weight	450g
Material	Copper fins with copper vapor chamber
Thermal Grease	Shin-Etsu X23-8079-2 Pre-Printed
TDP	400 W

Performance Chart: Passive Cooler C4 Thermal Resistance Thermal Resistance & Pressure Drop vs. Air Flow rate



Publication History:

12/20/2023: Initial Release.

(Specifications are subject to change without notice)

4

3

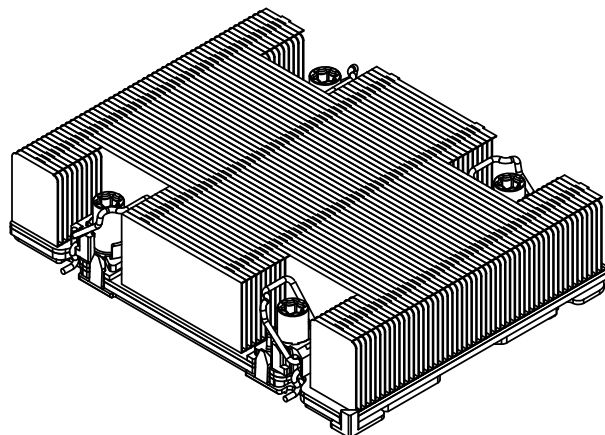
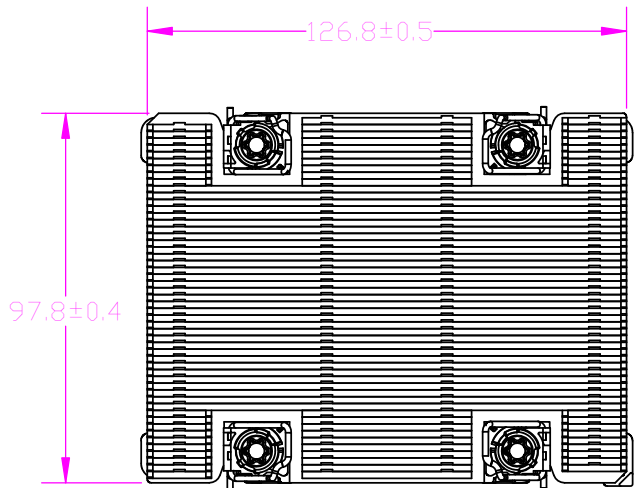
2

1

REV#	DESCRIPTION	CHECKER	DATE
0.0	INITIAL RELEASE	JUN	12/19/23

F

F

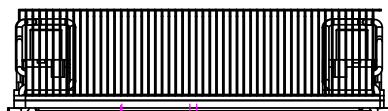
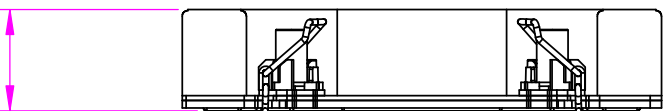


E

E

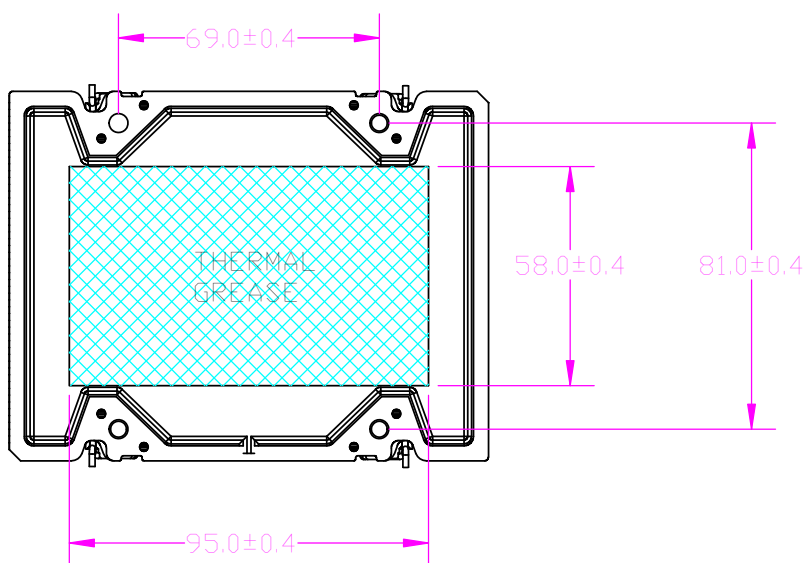
D

D



C

C



B

B

	NAME	DATE
DRAWN BY	JUN	12/21/2023
CHECKED BY	JUN	12/21/2023
ENG. APPROVED		
MFG. APPROVED		



DYNATRON CORPORATION

TOP MOTOR

TITLE:

1U AIR COOLER C4
OVERALL DIMENSION DRAWING

A

A

CONFIDENTIAL DOCUMENT
 THIS DRAWING CONTAINS INFORMATION PROPRIETARY TO DYNATRON CORPORATION AND DYNAEON INDUSTRIAL CO., LTD. ANY REPRODUCTION, DISCLOSURE, OR USE OF THIS DRAWING IS EXPRESSLY PROHIBITED EXCEPT AS DYNATRON CORPORATION AND DYNAEON INDUSTRIAL CO., LTD. MAY OTHERWISE AGREE TO IN WRITING.

VIEW	
UNITS	MM

DWG. No:	DYN-BD-C4
----------	-----------

REV.	0.0
------	-----

4

3

2

1

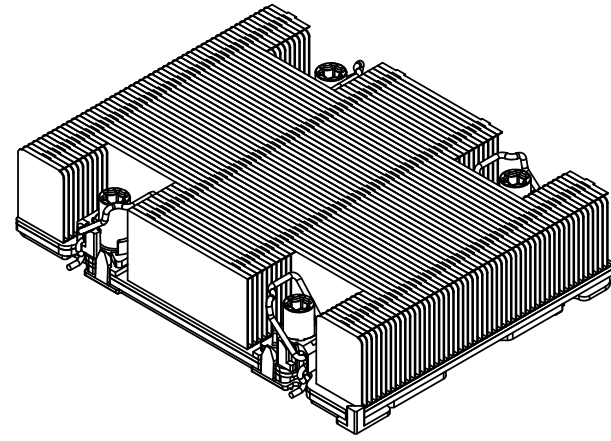
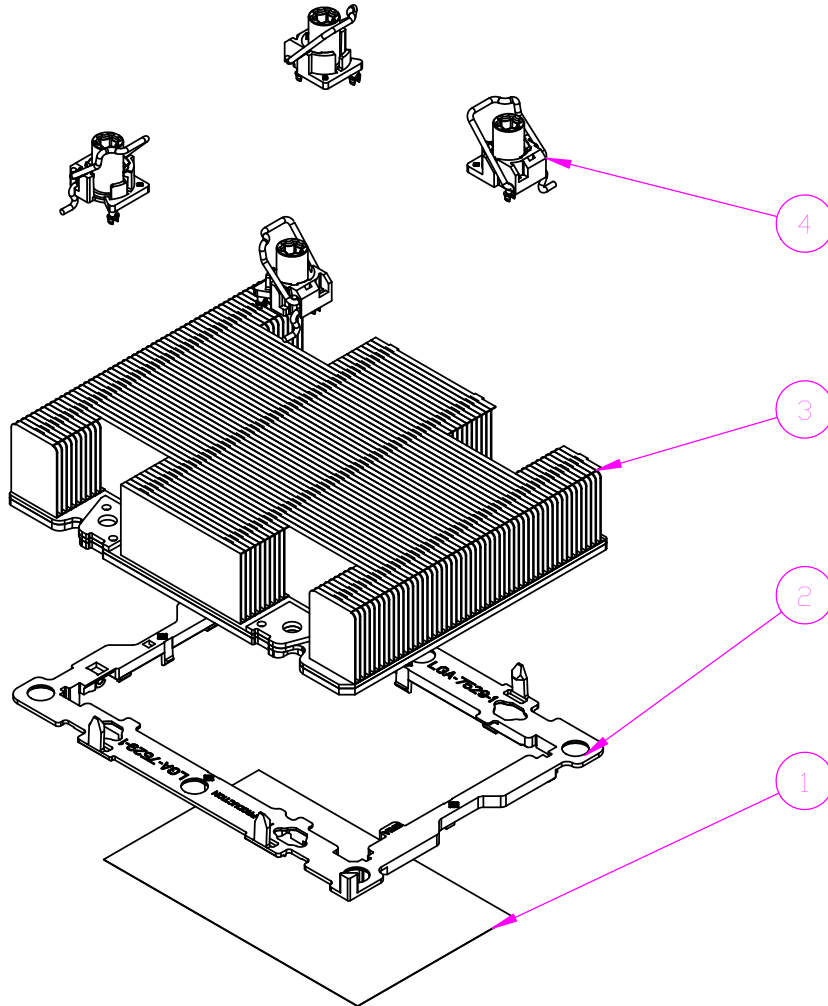
2

1


CONFIDENTIAL DOCUMENT

THIS DRAWING CONTAINS INFORMATION PROPRIETARY TO DYNATRON CORPORATION AND DYNAEON INDUSTRIAL CO., LTD. ANY REPRODUCTION, DISCLOSURE, OR USE OF THIS DRAWING IS EXPRESSLY PROHIBITED EXCEPT AS DYNATRON CORPORATION AND DYNAEON INDUSTRIAL CO., LTD. MAY OTHERWISE AGREE TO IN WRITING.

REV#	DESCRIPTION	CHECKER	DATE
0.0	INITIAL RELEASE	JUN	12/19/23



4	ANTI-TILT RETENTION KIT	PLASTIC, STEEL WIRE	1
3	HEAT SINK	COPPER, VC	1
2	LGA7529 PACKAGE CARRIER	PLASTIC	1
1	THERMAL GREASE	SHIN-ETSU X23-8079-2	N/A
ITEM #	DESCRIPTION	MATERIAL	QTY.

	DATE	NAME	 DYNATRON CORPORATION <small>TOP MOTOR</small>
DRAWN	12/21/2023	JUN	
CHECKED	12/21/2023	JUN	TITLE: 1U Passive Cooler C4 BOM & exploded Assembly Drawing
ENG.APPR.			
MFG.APPR.			
COMMENTS:			DWG. NO. DNY-EP-C4
			REV 0.0

NOTES:
THE FIGURE IS FOR REFERENCE ONLY, AND NOT FOR SCALE

2

1

B

B

A

A